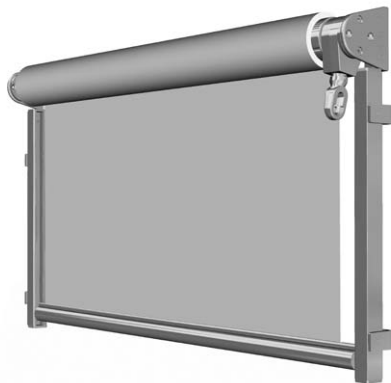
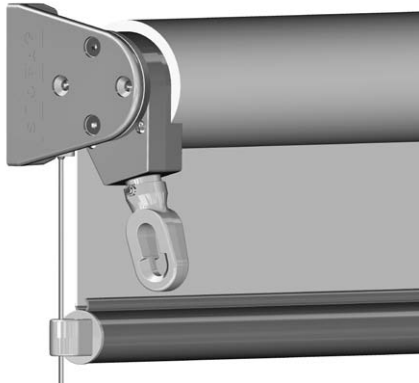




VERTICAL S4110

Vertical awning with open design

S4110



	min. 40 cm max. 500 cm		min. 40 cm max. 300 cm
--	---------------------------	--	---------------------------

Description

Combi bearings 100 x 100 mm of cast aluminium alloy (most suitable for installation in header joists) as a mounting support for the roller tube, with slits for wall, ceiling or soffit fixing. Operated manually by means of a bevel gearbox (speed reduction ratio 3.5:1) with ring and hanging crank lever with hook. Adjusting ring for infinitely variable gear positioning. ø70 mm roller tube shaft of Sendzimir galvanised steel with groove for insertion of the awning cover. PVC bearing shell for hanging the roller shaft from the front. The aluminium extruded drop profile (33 x 40 mm) is fitted with a groove for attaching the roller tube and compressed flat steel as additional weight. Plastic side guide pins. All aluminium profiles and aluminium cast components are powder-coated. Fitted with awning cover made of polyester, PVC or acrylic from the STOBAG collection.

S4110/1 Rope guides

3 mm stainless steel wire rope guides with threaded end caps top and bottom. Attached to combi supports at the top and with aluminium cast alloy fixing brackets for soffit fixing or advanced facade mounting at the bottom. Ground bracket available for mounting on balustrades or windowsills.

S4110/2 Rod guides

8 mm chrome steel rod guides with threaded end caps top and bottom. Attached to combi supports at the top and with aluminium cast alloy fixing brackets for soffit fixing or advanced facade mounting at the bottom. Ground bracket available for mounting on balustrades or windowsills.

S4110/3 Guide rails

35 x 30 mm aluminium extruded profile guide rails with cast aluminium alloy covers top and bottom. Soffit installation as direct screw coupling via bore holes in the guide rails, facade installation with suitable fixing brackets made of cast aluminium alloy.

OPTIONS

Drive options

- Worm drive (4:1) with end stop, grommet with joint plate (projection angle 45°-90°), tilted crank lever connected to drive with fixed, positive fitting, galvanised steel.
- Worm drive (4:1) with end stop, with ring and hanging awning crank lever with hook
- Worm drive (4:1) with end stop, with crank coupling and hanging awning tilted crank lever with operating handle funnel

Electric drive:

With a mechanical limit switch: Tubular AC motor 230 V, 50Hz or 120 V, 60 Hz (according to the country) with electromechanical brakes and mechanically adjustable end stop. Thermal protection, protection class IP54 (spray water), with 50 – 150 cm connection cable.

With an electronic limit switch: Tubular AC motor 230 V, 50Hz or 120 V, 60 Hz (according to the country) with electromechanical brakes and electronic end stop. Thermal protection, protection class IP54 (spray water), with 50 – 150 cm connection cable.

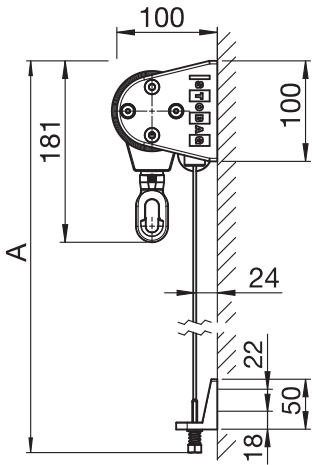
Remote control motor with an electronic limit switch: Tubular AC motor 230 V, 50Hz or 120 V, 60 Hz (according to the country) with electromechanical brakes and electronic end stop. Integrated radio receiver, thermal protection, protection class IP54 (spray water), with 50 – 150 cm connection cable.



VERTICAL S4110

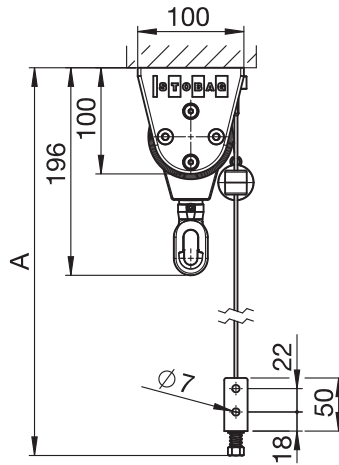
Vertical awning with open design

S4110/1

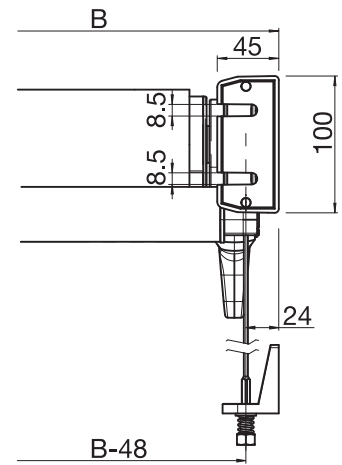


Wall fixing

with cable guides

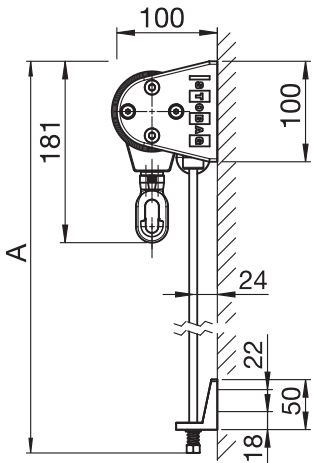


Soffit installation



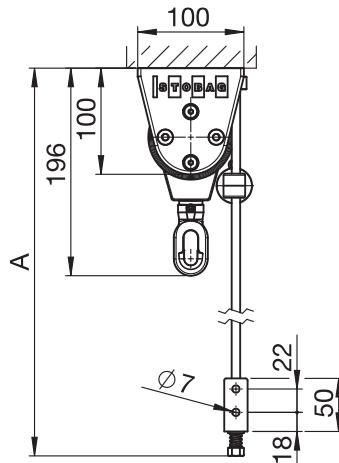
Installation drawing

S4110/2

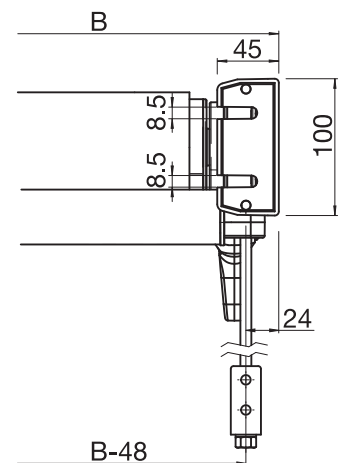


Wall fixing

with steel rod guides

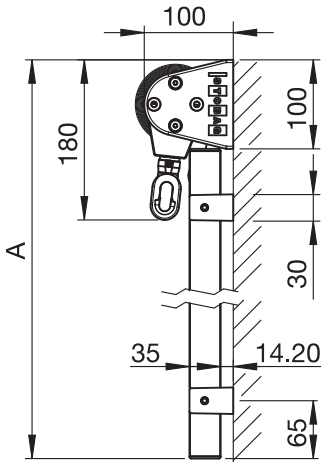


Soffit installation



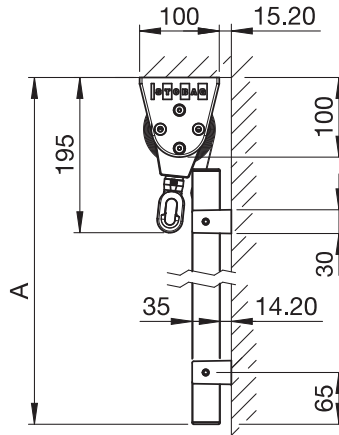
Installation drawing

S4110/3

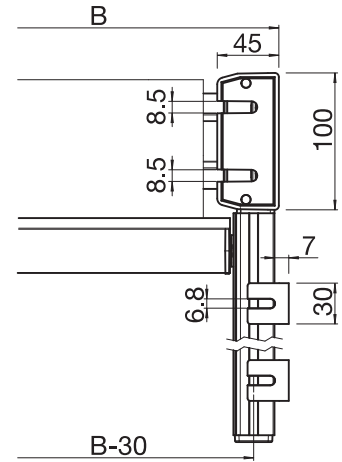


Wall fixing

with aluminium guides



Soffit-wall fixing



Installation drawing

A = Total height

B = Total width